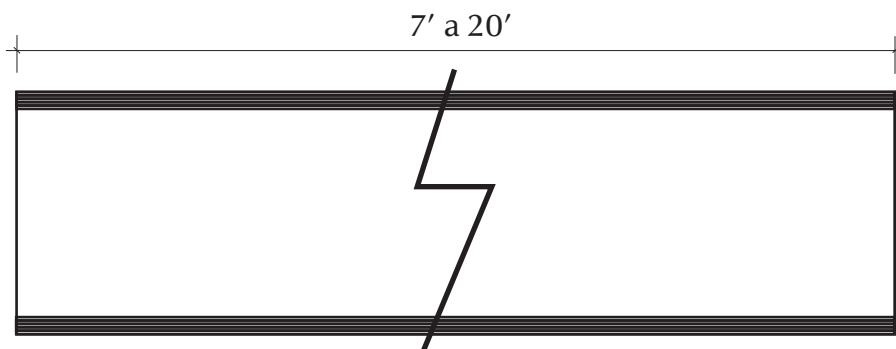
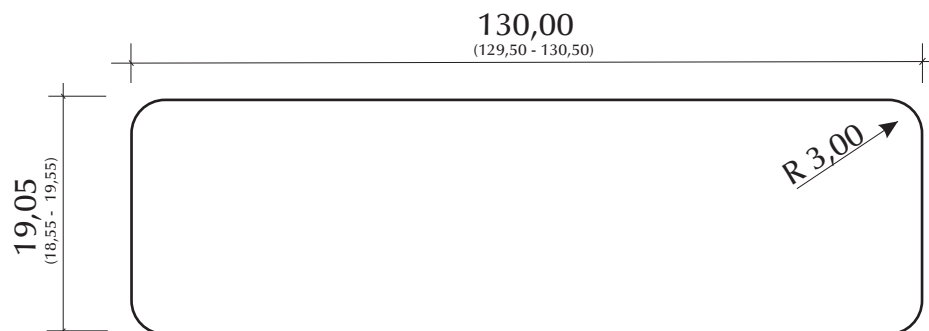


USINAGEM LATERAL (A/B)



USINAGEM TOPO (C/D)



CDT - CONTROLE DE DOCUMENTOS TÉCNICOS

Produto: Deck Classic 1- Israel - 130,0 x 19,05mm

Cód. Produto: dck_cls_130_1905

Arquivo Digital: dt_eng_dck_cls_130_1905_v_2010_01

Versão: dck_cls_130_1905_v_2010_01

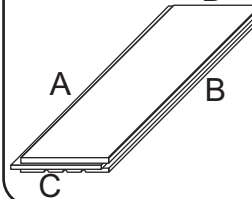
Catálogo: tec_deck_clasic_eng_2010.pdf

Dimensional Reading / mm

55,80 → Nominal dimension
(55,00 - 56,60) → Tolerance

· Drawings are scaleless / All measurements are in millimeters
· Dimensions may change according to internal quality procedures.

Viewer



Product: Deck Classic - 1- Israel - 130,0 x 19,05mm
Code: dt_pt_dck_cls_130_1905_v_2010_01
Thickness: 19,05mm
Width: 130,00mm
Length: 7' a 20'
Variation: 3', 4', 5', 6'
Version: dck_cls_130_1905_v_2010_01

·Product available in the following types

- *Cumaru (Dipteryx sp)*
- *Garapeira (Apuleia sp)*
- *Ipê (Tabebuia sp)*
- *Tatajuba (Bagassa guianensis)*
- *Sucupira preta (Bowdichia sp)*
- *Maçaranduba (Manilkara sp)*

·Shipment Composition: Container DRY - 20"

- *Cumaru (Dipteryx sp)*- 22,00m³
- *Ipê (Tabebuia sp)*- 20,00m³

Drying:

KD> Dry in a 16-16 % drying stove

Weight / KD

- *Cumaru (Dipteryx sp)*- 1.250Kg/m³ [(+10%) ou (-10%)]
- *Ipê (Tabebuia sp)* - 1.300Kg/m³ [(+10%) ou (-10%)]

Milling

· Decking suitable for external use with grooved finish cut on the top and bottom side, and with smooth finish and four round corners of a 3.00-mm radius. S4S e E4E.

Pallet Stacking

Steel taped. Stacks of specific length and width. Stacked with separators and waxed on top